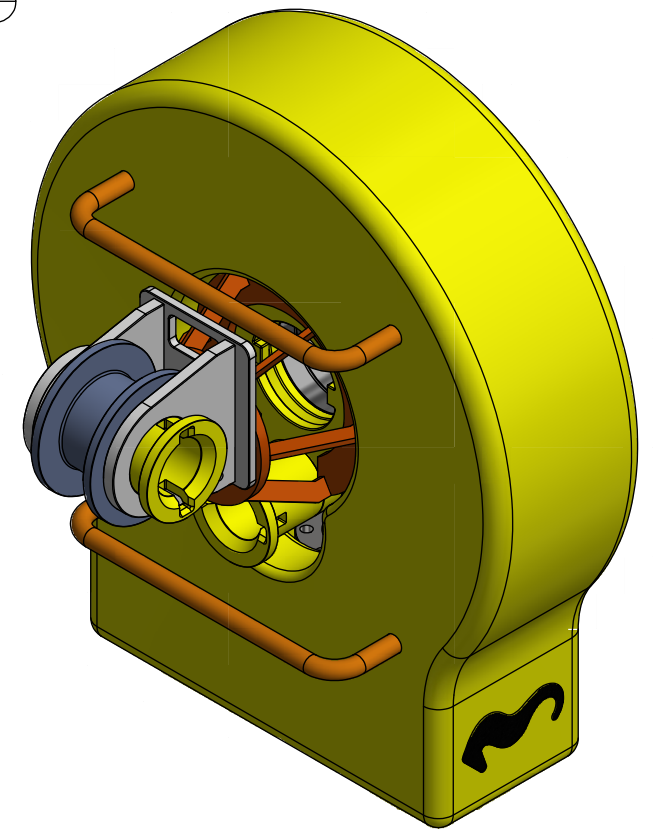
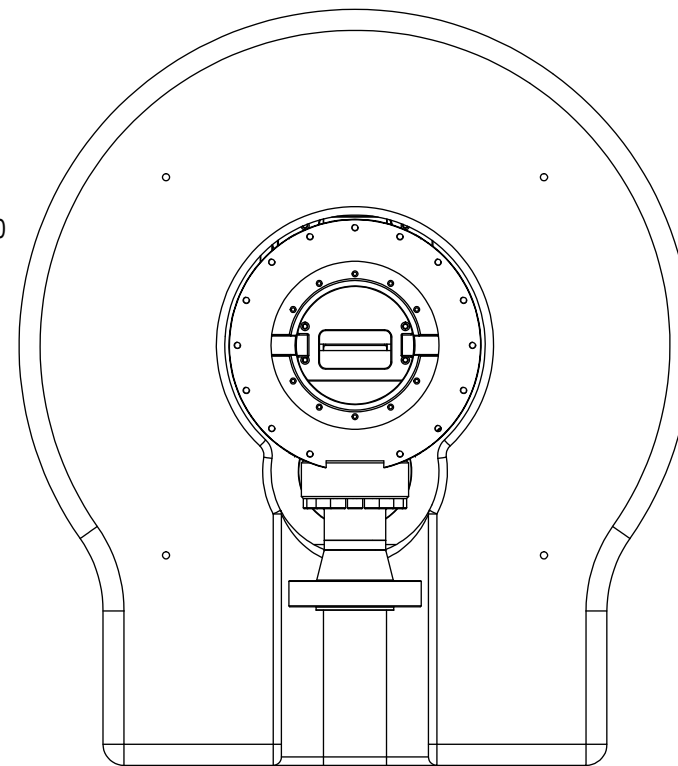
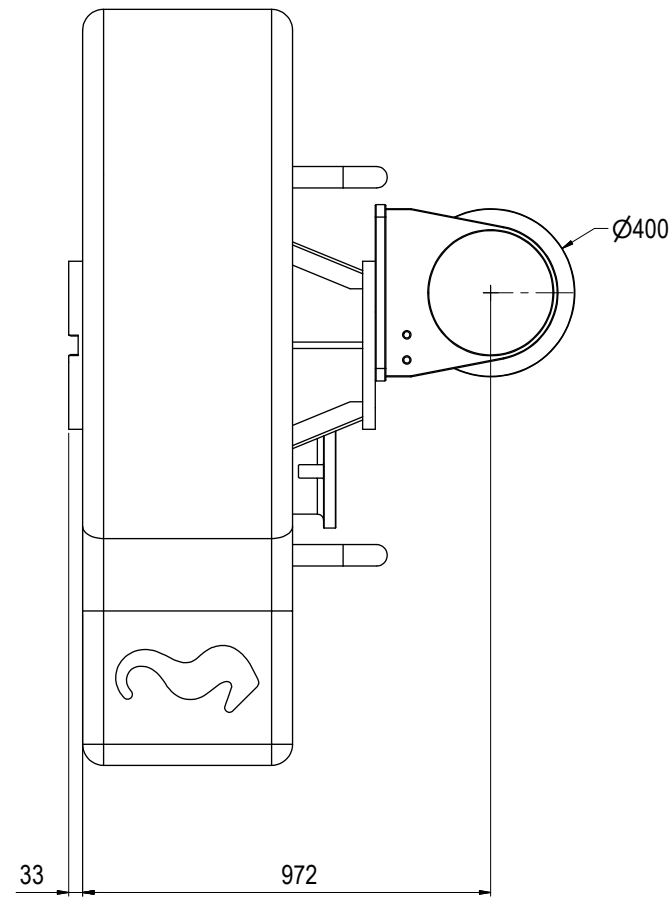
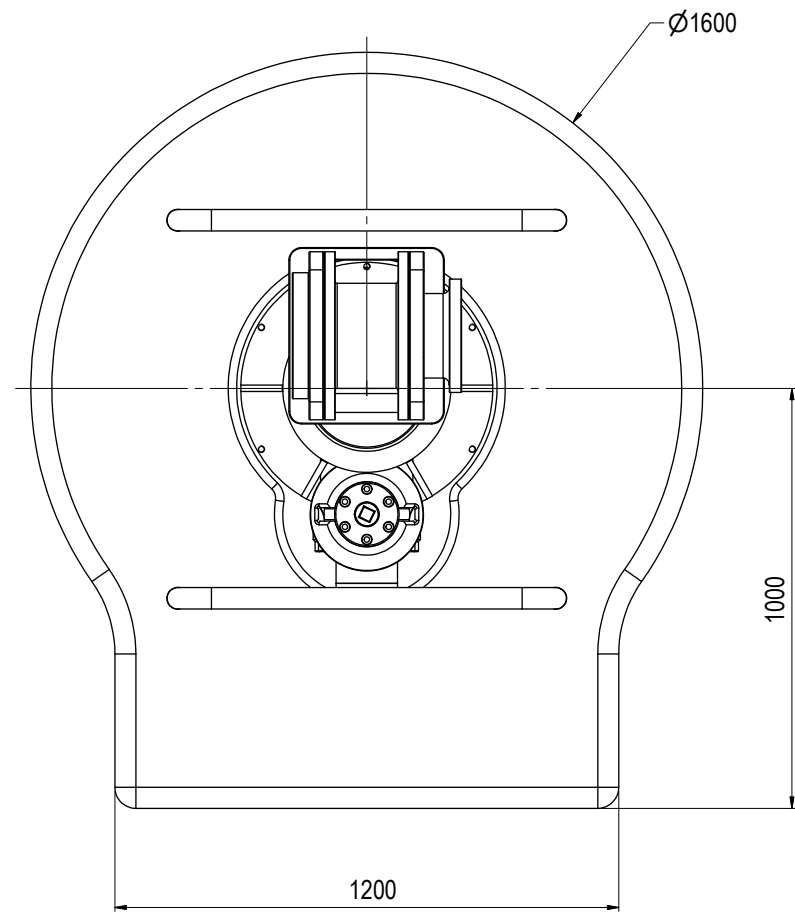


NOTE: 1
 DESIGN CODE:
 N/A

NOTE: 2
 TECHNICAL CLASSIFICATION:
 Article Type: 007-Valves
 Main Group: 7.02. Ball-Valve
 Intermediate Group: 7.1014.10. 6"
 Sub Group: 7.1014.311.1. Intervention

NOTE: 3
 INTERFACE INFORMATION:
 Pressure Rating Bar: N/A
 Material: N/A
 Weight: 1193,4 kg
 Volume: 1047,96 dm³
 Surface Area: 181134 cm²
 Hydraulic: N/A
 Mechanical: N/A
 Electrical: N/A
 Com. & Protocol: N/A



FOR INFORMATION ONLY

Rev.	Date	Reason for issue	Revision change	Made	Chk'd	Appr.
01	14.6.2017	2-IFT (Issued for Tender)		WTJ	LGH	WTJ



Dwg Scale:	NTS
Dwg Proj:	
Dwg Format:	A3

Drawing title:	4" Valve Stab Rec wWinch & Boyancey	
Drawing number:	BB0254	Rev: 01